



KOKO

product code	D049M93
product description	KOKO Headboard 164X135 Coconut Headboard in wood coated with coconut tiles.

<b>product sizes</b>	
height x width x depth (cm)	135 x 164 x 6
product weight (Kg)	21,5

technical drawings

<b>product features</b>	
use (domestic/office)	Domestic
applicance (inner/outer)	Inner
number of doors	
number of drawers	
fittings description	4 screws per leg
max. load (Kg)	

material	Mango wood and coco chip
finishing	Painted

legs material	Mango wood
legs finishing	
feet protection (yes/no)	Yes
adjustable feet (yes/no)	No

RAL Specifications	
size and shape variation (yes/no)	No
color variation (yes/no)	Yes
other details	

general warnings	Do not place near direct sources of heat. Keep away from direct solar light. Do not use abrasive products like acetones, bleaches, solvents, etc.
------------------	---------------------------------------------------------------------------------------------------------------------------------------------------

specific use and care instructions	Clean with a damp cloth and dry immediately
------------------------------------	---------------------------------------------

years of guarantee made according to	2
--------------------------------------	---

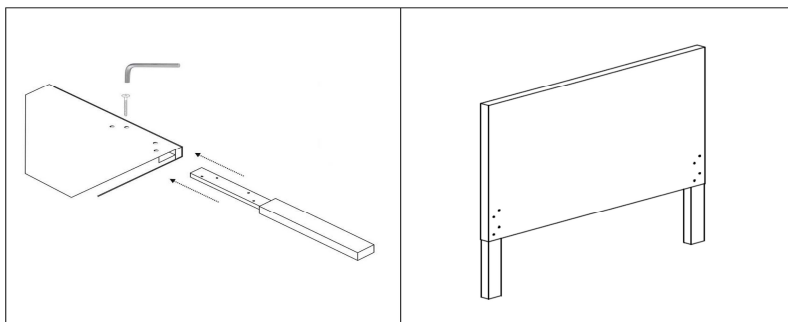
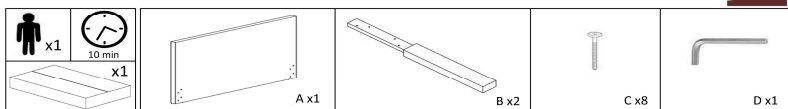
good to know	Wood origin country: Indonesia. Leg sizes: 8 x 4 cm
--------------	-----------------------------------------------------

**assembly**

assembly required (yes/no)	Yes
difficulty of assembly (hard/medium/easy)	Easy
assembly time (min)	10
people required	1
assembly suggestions	Lay down the headboard and join the legs

assembly instructions

**D049 - D051**



This product is property of Julia Grup Furniture Solutions S.L. (B-17616277) · Pol. Ind. Bosc d'en Cuca · C/Tallers, 14 · 17410 Sils · SPAIN

**packaging**

units per lot	1				
cbm (m3) / gross weight (Kg)	0,216	/	23,5		
nº of boxes	1				
box 1	1				
description	KOKO Headboard 164X135 Coconut				
description box	FULL ITEM				
height x width x depth (cm)	13	x	168	x	99
cbm (m3) / gross weight (Kg) / net weight (Kg)	0,216	/	23,5	/	21,5
box 2					
description					
description box					
height x width x depth (cm)		x		x	
cbm (m3) / gross weight (Kg) / net weight (Kg)		/		/	
box 3					
description					
description box					
height x width x depth (cm)		x		x	
cbm (m3) / gross weight (Kg) / net weight (Kg)		/		/	
box 4					
description					
description box					
height x width x depth (cm)		x		x	
cbm (m3) / gross weight (Kg) / net weight (Kg)		/		/	
box 5					
description					
description box					
height x width x depth (cm)		x		x	
cbm (m3) / gross weight (Kg) / net weight (Kg)		/		/	